



INSTALLATION INSTRUCTIONS

89936-SU | LFX/JDL/BF/6R/15W/E/D/30K | 6" LED DOWN LIGHT
89937-SU | LFX/JDL/BF/6R/15W/E/D/40K | 6" LED DOWN LIGHT



Installation

Please read and understand this entire manual before attempting to assemble, operate or install the product.

WARNINGS: Avoid fire or electric shock. Follow installation instructions carefully. Risk of fire or electric shock. THIS PRODUCT MUST BE INSTALLED IN ACCORDANCE WITH THE APPLICABLE INSTALLATION CODE BY A PERSON FAMILIAR WITH THE CONSTRUCTION AND OPERATION OF THE PRODUCT AND THE HAZARDS INVOLVED, MIN 90°C SUPPLY CONDUCTORS. TYPE IC RATED - INHERENTLY PROTECTED. Vapor barrier must be suitable for 90°C. Suitable for operation in ambient not exceeding 45°C. Covered ceiling mount only, Suitable for wet locations.



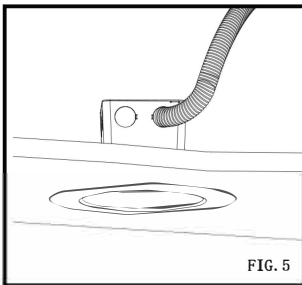
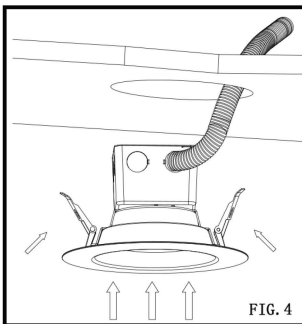
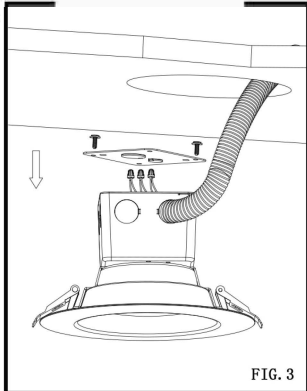
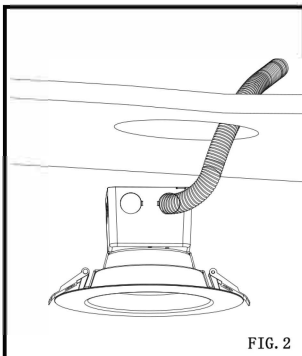
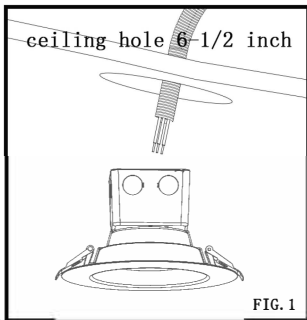
CAUTION: Turn off the power at fuse or circuit breaker box before installation and maintenance to avoid electric shock. This fixture should be used on 120V fused circuits. Fixture must be installed according to national electric code and local building codes. If you are unsure about wiring consult a qualified electrician. THIS FIXTURE BODY IS ONE PIECE, DO NOT DISASSEMBLE OR MAKE ALTERATIONS. Not to be used for emergency lighting.

This device complies with Part 15 of the FCC Rules. Operation is subject to the following two conditions: (1) this device may not cause harmful interference, and (2) this device must accept any interference received, including interference that may cause undesired operation.

Retain these instructions for future maintenance reference.

10-100% DIMMABLE*

The lamp may not be compatible with all dimmers.
Go to www.Sunlite.com/Dimmers to find dimmer compatibility information.



This IC/AT fixture is intended for use in recessed cavities or suspended ceilings (with or without insulation). Choose the location for the fixture, taking into consideration the location of the joists, the 5-6 in. depth clearance and electrical supply.

STEP 1. Shut off power before installation.

STEP 2. Cut 6 ½ in. hole in the ceiling. (FIG. 1)

STEP 3. When running the supply wire(s), allow an additional 18 in. of wire at each installation in order to make the electrical connections on the room side of the ceiling hole, identify the size of the wire. (FIG. 2)

STEP 4. Remove the Junction Box Screws holding the Junction Box Cover.

STEP 5. Using a screwdriver, push through the ¾ inch hole on the side.

STEP 6. Using the quick connectors in the junction box insert the wires in the supply wire AS FOLLOWS:
WHITE WIRE IN SUPPLY WIRE TO WHITE WIRE IN QUICK CONNECTOR (NEUTRAL)
BLACK WIRE IN SUPPLY WIRE TO BLACK WIRE IN QUICK CONNECTOR (HOT/LIVE)
GREEN/BARE WIRE IN SUPPLY WIRE TO GREEN WIRE QUICK CONNECTOR (GROUND)

STEP 7. Carefully stuff all wires/connectors back into the junction box.

STEP 8. Snap/replace the cover on top of the junction box. (FIG. 3)

STEP 9. Press the top portion of the spring clips against the side of the Housing Assembly. (FIG. 4)

STEP 10. Push the Housing Assembly with the top side of the Remodel Clips through the hole until tight. Continue to push the Housing Assembly until the fixture snaps into place with the trim tight against the ceiling. (FIG. 5)

Dimming performance may depend on the dimmer, the dimmer range adjustment setting (for dimmers with brightness range adjustments), the wiring method, and/or the number of LED modules installed onto the dimmer circuit. For best results, it is recommended to install a minimum of four LED modules onto one dimmer.

Sunshine Lighting Company

744 Clinton Street Brooklyn, NY 11231, USA

T. 718.768.7000

F. 718.768.0970

www.sunlite.com